

Motic®

AE20/21

MOTIC INVERTED MICROSCOPE

Combining Motic's own Colour Corrected Infinity Optical System with an innovative ergonomical design, the AE20/21 makes inverted microscopy simple and affordable.



AE21

COLOUR CORRECTED INFINITY OPTICAL SYSTEM

Motic's own CCIS maximizes optical clarity and scalability of the entire microscope. Future accessories or additions can be added without any detrimental effect on the optical system. Optional accessories are offered for Phase Contrast microscopy. The head is available in Binocular (AE20) and Trinocular (AE21) versions with the latter having a built-in slider to control the light path to either the binocular tubes or the trinocular output.

Both versions are equipped with WF 10X/20mm eyepieces giving an impressive wide field of view.



E Plan Achromat Objectives



Eyepieces



PHASE CONTRAST MICROSCOPY

Motic's CCIS Phase E Plan Achromat objectives coupled with a simple phase slider provide outstanding contrast images for even the most demanding applications.

For a quick and easy change of magnification, a centerable annular ring is provided for 10X and 20X phase objective in the phase slider. The center position of the slider is for brightfield microscopy.

Objectives Chart

	Types	N.A.	Working Distance
CCIS E Plan Achromat Objectives	4X ∞	0.1	14.2
	10X ∞	0.25	6.3
	LWD 20X ∞	0.4	5.5
	LWD 40X ∞	0.6	2.1
CCIS E Plan Achromat Phase Objectives	Ph 10X ∞	0.25	6.3
	LWD Ph 20X ∞	0.4	5.5
	LWD Ph 40X ∞	0.6	2.1

Unit: mm

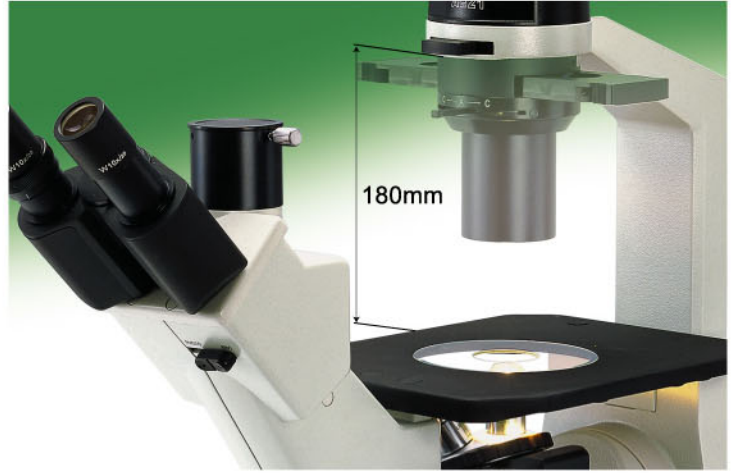


THE LIGHT SOURCE

The AE20 series Motic microscope features a class-leading 6V/30W quartz halogen illumination system providing bright and even illumination at any magnification.



LED light intensity idicator

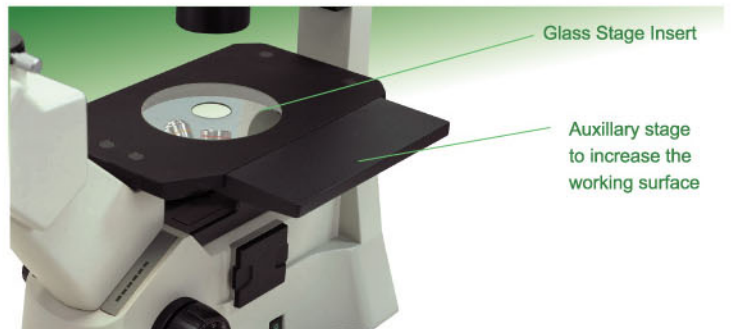


This precentered system features a removable condenser allowing for flasks and Petri dishes as high as 180mm to be accommodated on the stage.

STAGE AND ACCESSORIES

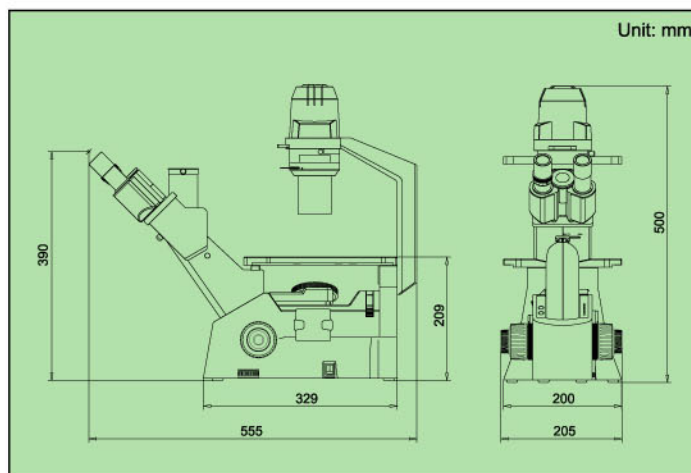
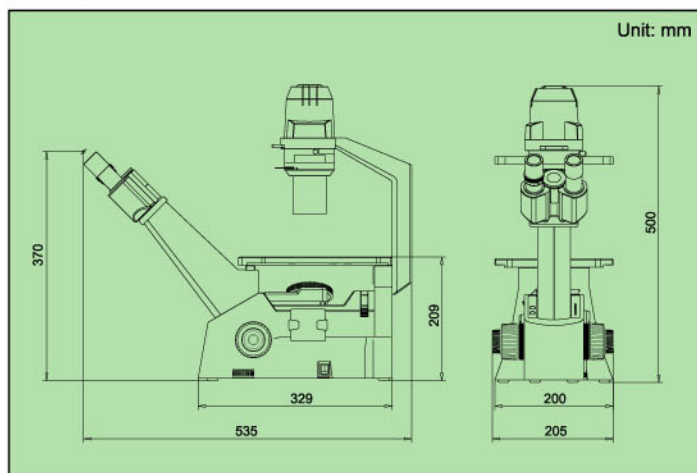
The microscope is delivered with a fixed stage plate as standard. Auxilliary plates are available so that the stage can be enlarged on both sides. A hard-coating portects the stage from abrasion and wear. Changing objectives is made more comfortable as the tempered glass stage insert allows for the nosepiece to be viewed diring operation without having to remove the specimen from the stage.

An optional attachable precision mechanical stage with low-position coaxial controls is also available as are several inserts and Petri dish holders making the AE20/21 a truly versatile inverted microscope.



The objective in use can easily be seen through the large glass stage insert.

Dimensions

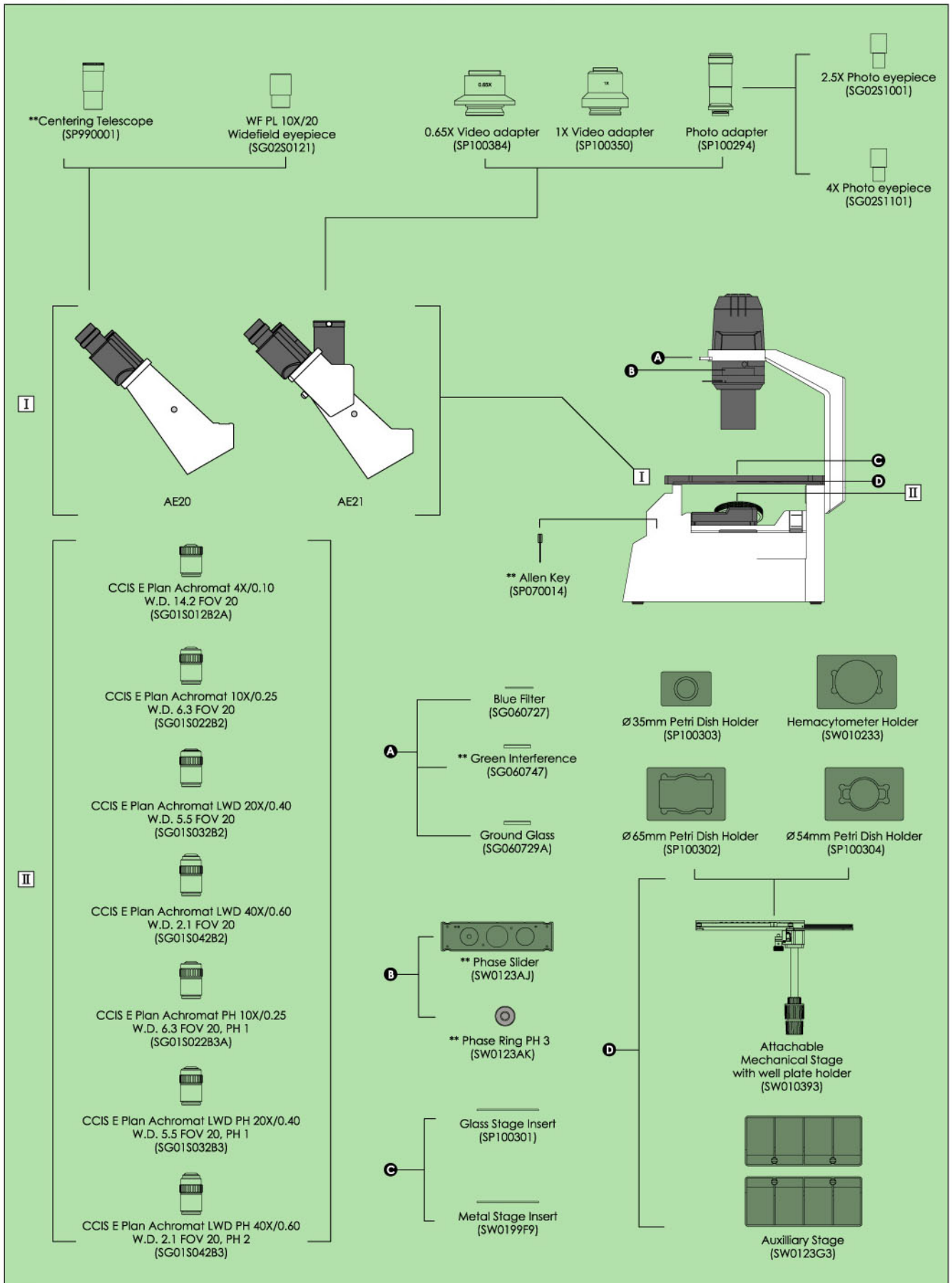


AE20/21 Configuration

AE20 inverted microscope main body consists of	Binocular eyepiece tube, plain stage, quadruple revolving nosepiece N.A. 0.30 condenser (WD 72mm) with halogen illumination 6V/30W		✓	
AE21 inverted microscope main body consists of	Trinocular eyepiece tube, plain stage, quadruple revolving nosepiece N.A. 0.30 condenser (WD 72mm) with halogen illumination 6V/30W			✓
Eyepiece Lenses	Widefield high eyepoint WF 10X / 20mm	SG02S0121	●	●
	Widefield high eyepoint WF 15X / 13mm	SG02S0507	○	○
Objective Lenses	CCIS E Plan Achromat 4X / 0.10, W.D. 14.2 FOV 20	SG01S012B2A	●	●
	CCIS E Plan Achromat 10X / 0.25, W.D. 6.3 FOV 20	SG01S022B2	○	○
	CCIS E Plan Achromat LWD 20X / 0.40, W.D. 5.5 FOV 20	SG01S032B2	○	○
	CCIS E Plan Achromat LWD 40X / 0.60, W.D. 2.1 FOV 20	SG01S042B2	●	●
	CCIS E Plan Achromat PH 10X / 0.25, W.D. 6.3 FOV 20, PH 1	SG01S022B3A	●	●
	CCIS E Plan Achromat LWD PH 20X / 0.40, W.D. 5.5 FOV 20, PH 1	SG01S032B3	●	●
	CCIS E Plan Achromat LWD PH 40X / 0.60, W.D. 2.1 FOV 20, PH 2	SG01S042B3	○	○
Phase Contrast Attachment	Centerable PH slider supplied with phase ring PH 1	SW0123AJ	●	●
	Phase Ring PH 3	SW0123AK	○	○
	Centering telescope	SP990001	●	●
Photo Adapters	Photo Adapter (requires one of the photo eyepieces below)	SP100294	/	○
	2.5X Photo eyepiece	SG02S1001	/	○
	4X Photo eyepiece	SG02S1101	/	○
Video Adapters	0.65X Video adapter	SP100384	/	○
	1X Video adapter	SP100350	/	○
Stage & Holders	Glass stage insert	SP100301	●	●
	Metal stage insert	SW0199F9	●	●
	Auxilliary stage (paired set)	SW0123G3	○	○
	Attachable Mechanical Stage (with well plate holder)	SW010393	○	○
	Hemocytometer holder	SW010233	○	○
	∅ 35mm Petri dish holder	SP100303	○	○
	∅ 54mm Petri dish holder	SP100304	○	○
∅ 65mm Petri dish holder	SP100302	○	○	
Filters	Blue glass (45mm)	SG060727	●	●
	Ground glass (45mm)	SG060729A	●	●
	Green interference (45mm)	SG060747	●	●

Note: "●" represents the standard accessories
"○" represents the optional accessories

MOTIC INVERTED MICROSCOPE AE20/21 SYSTEM DIAGRAM



** for phase contrast microscope